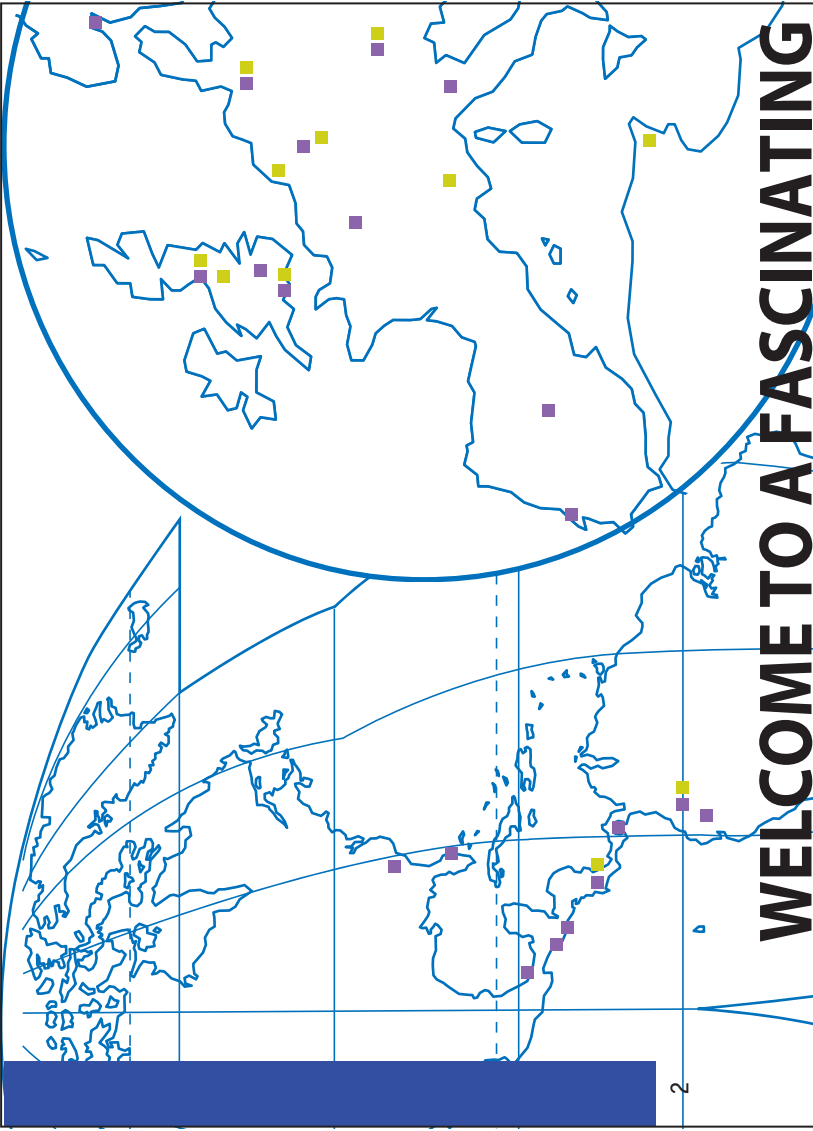


SYLVANIA



industrial &
commercial
lighting

HEAVY DUTY **SYLVANIA**



WELCOME TO A FASCINATING

SYLVANIA

COMMITTED TO PROTECTING THE ENVIRONMENT
ECONOMY MEETS ECOLOGY



CLIMATE CHANGE IS NO LONGER A POSSIBILITY, IT'S A REALITY. AND, WHILE THE JURY MAY STILL BE OUT ON OTHER ISSUES, ONE THING IS CERTAIN: WHEN IT COMES TO MAN-MADE CO2 EMISSIONS, PREVENTION IS BETTER THAN CURE.

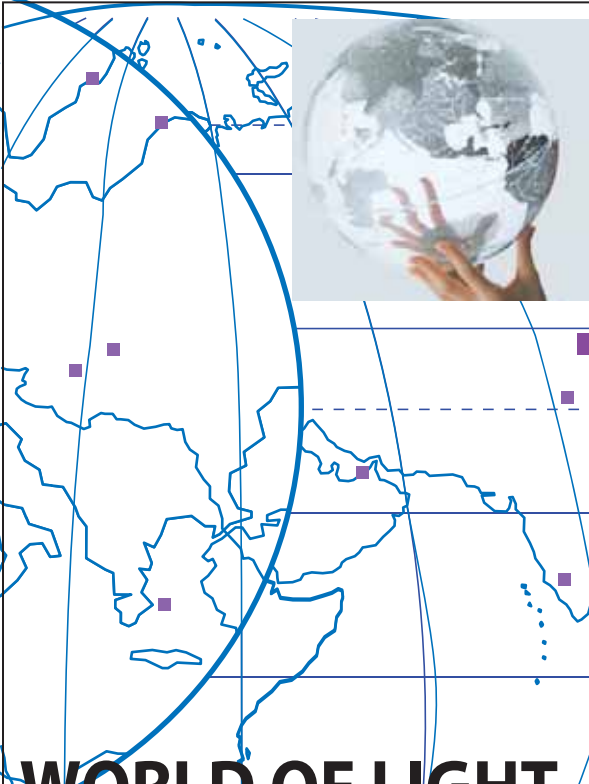
At Havells Sylvania, that simple insight drives everything we do. With every new product and solution we develop, we aim to create better light with less energy. From design to manufacture, from lifecycle to disposal, our aim is always the same: To minimize the environmental impact of the goods and services we provide – without compromising on quality. In terms of environmental impact, our lamps and ballasts are already among the most advanced in the world – and we haven't finished yet.

In Thailand alone, switching every light source to today's technology would slash CO2 emissions by at least 6 million tons per year, saving the economy THB 30,000 million in the process. To encourage change, Havells Sylvania develops products and technologies that are as affordable as they are effective.



THE SYLVANIA PLEDGE

When it comes to environmental protection, actions speak louder than words. So as of 2007, Havells Sylvania is committed to launching or enhancing new energy-efficient products every six months. That's a promise



HAVELLS SYLVANIA – FULL SPECTRUM LIGHTING SOLUTIONS YOUR GLOBAL PARTNER

HAVELLS SYLVANIA IS A LEADING FULL-SPECTRUM PROVIDER OF CONSUMER AND PROFESSIONAL LIGHTING SOLUTIONS. BUILDING ON A CENTURY OF GLOBAL EXPERTISE IN LAMPS AND FIXTURES, WE SUPPLY STATE-OF-THE ART PRODUCTS AND SYSTEMS TO THE PUBLIC, COMMERCIAL AND PRIVATE SECTORS WORLDWIDE.

From fluorescent to CFL, from halogen to HID and beyond, Havells Sylvania strives to deliver the finest consulting, products and service available. All over the world, people rely on powerful brands like Sylvania for top quality, energy-efficient solutions and leisure environments to their individual lighting needs.

Today, Havells Sylvania is one of the largest and fastest growing manufacturers with 94 branches and representative offices and 8,000 professionals in more than 50 countries.

Backed by global network of competence, Havells Sylvania is now in the stronger position than ever - and is poised to grow its market share significantly in years to come.

WORLD OF LIGHT



PERFORMANCE AT WORK

REDUCING THE TOTAL COST OF OWNERSHIP (TCO)



Improving light levels and light quality is a simple, yet effective way to improve workplace safety and employee productivity. After all, the more people can see, the less likely errors and mistakes become. As for cost effectiveness, not only do Havells Sylvania products for industrial applications pay their way – they actually save companies real money long term. Every component is carefully engineered for longevity, low maintenance and high energy efficiency.

Together with the use of intelligent technology like electronic ballasts, this enables operators to achieve long-term savings of up to 50%. Or to put it more simply: Long life + low energy consumption = reduced TCO.

CONTENTS:

Highbay



Kamen
P.7



Aluglass
P.8



Roma Series
P.9



Eco Indy Series
P.10



Indy Series
P.11



Sylglass Series
P.12



Ray Series
P.13



Euro Series
P.14



Sigma Series
P.15



Sylvaglow Series
P.16



Super Indy Series
P.17

4
CONTENTS

Floodlight



Magnum
P. 19



AD Spot
P.20



Cannon
P. 21



Micron Series
P.22



Metro Series
P. 23



Mission Series
P.24



JET Series
P.25



Vision Series
P.26



Rocket Series
P. 27



Rocket 1000 Series
P.28



JET 1000 Series
P.29



SUN Series
P.30



Corona Series
P.31



Luna Series
P.32



Giant Series
P.33

SYLVANIA
HEAVY DUTY

CONTENTS:

Area lighting



Dune 3
P.35



SYL-Protect Series
P.36



Syltech Series
P.37



GSA Series
P.38



GSC Series
P.39



Sylproof Series
P.40



Sylproof X
P.41

Streetlight



Star 1 Series
P.43



Star 2 Series
P.44



Star 3 Series
P.45



Matrix I Series
P.46



Matrix II Series
P.47



Clip
P.48



Comet Series
P.49

SYLVANIA
HEAVY DUTY

Highbay

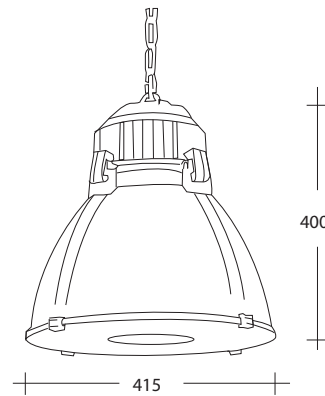
A REVOLUTION IN LIGHTING FIXTURES TECHNOLOGY



KAMEN



DIMENSION (in mm.)



DESCRIPTION

7



Highbay

Adopting integrated balanced desing of internal electrical units and hook, KAMEN is simpler and easier to install and mantain. Equipped with different light sources and IP44 protective covering.

KAMEN can be widely used for indoor lightening in many kinds of large-scale commercial feids such as factories, supermarkets, stores, offices etc.

ORDERING DATA

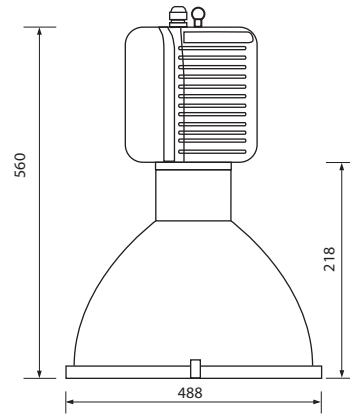
MODEL	LAMP	LAMP TYPE
KAMEN 70 MH	CDM-T 70W G12	Metal Halide
KAMEN 150 MH	CDM-T 150W G12	Metal Halide
KAMEN 70 MH	HSI-T 70W E27	Metal Halide
KAMEN 150 MH	HSI-T 150W E27	Metal Halide

SYLVANIA
HEAVY DUTY

ALUGLASS



DIMENSION (in mm.)



8

Highway

DESCRIPTION

Aluminium die cast gear box, outer part is treated static electricity painted, high protection of corrosion Reflector has two parts, the upper is aluminium, the lower part is PC High intense silicon rubber ring, stainless steel fix clips

SPECIFICATION

- 488 mm reflector
- Die-Casting aluminium gear housing
- Porcelain E40 lamp holder
- Lamp 250 Mercury Vapour, Metal Halide, High Pressure Sodium

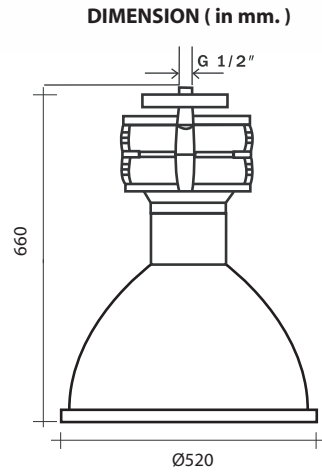


ORDERING DATA

MODEL	LAMP	LAMP TYPE
ALUGLASS 250MV	HSL-BW 250 W E40	Mercury Vapour
ALUGLASS 250MH	HSI 250 W E40	Metal Halide
ALUGLASS 250HPS	SHP 250 W E40	High Pressure Sodium

SYLVANIA
HEAVY DUTY

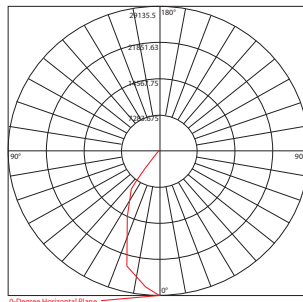
ROMA SERIES



DESCRIPTION

IP65 Highbay conforming to DIN, VDE, IEC598. class I.

The Roma highbay is a highbay quality IP65 luminaire featuring a 5mm toughened glass enclosure suitable for harsh environments. The body is made of die-cast aluminium alloy, resistant to atmospheric and chemical corrosive agents. The reflector is made of polished 99.8% spun aluminium



ORDERING DATA

MODEL	LAMP	LAMP TYPE
ROMA 250 HPS	SHP 250W E40	High Pressure Sodium
ROMA 400 HPS	SHP 400W E40	High Pressure Sodium
ROMA 250 MH	HSI 250W E40	Metal Halide
ROMA 400 MH	HSI 400W E40	Metal Halide

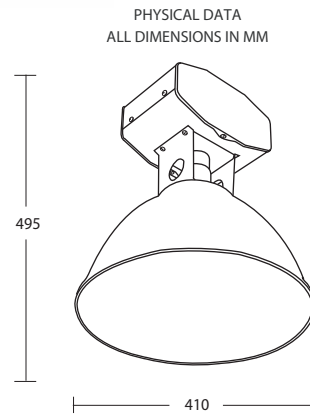
SYLVANIA
HEAVY DUTY

Highbay

ECO INDY SERIES



DIMENSION (in mm.)



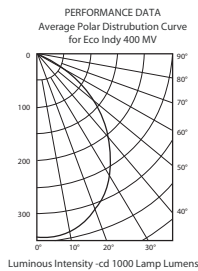
10

Highbay

DESCRIPTION

The Eco Indy Series fulfils the requirements for all general purpose highbay lighting situations. This series of fixtures aims to provide economical and value for money lighting for our cost conscious society. Sylvania highbay fixtures are renowned for their quality and ease of installation.

The reflector is satin etched and simply mounted to the die-formed gear chamber housing the HPF, 230V control equipment. Fixtures are supplied fitted with flex, moulded plug and suspension support. The open reflector neck provides an upward light component and self cleaning convection action.



SPECIFICATION

TO CLEARLY DIFFERENTIATE THIS PRODUCT, THE FOLLOWING UNIQUE FEATURES SHOULD BE NOMINATED IN YOUR SPECIFICATION.

- Spun aluminium reflector, satin etched diffuse finish.
- Gear chamber of die-formed coated steel.
- Porcelain E 39/E 40 lampholder.
- Pre-fitted mounting loop.
- Lamp- 250, 400W MV
 - 250, 400W HPS
 - 250, 400W Metalarc
- Toughened protection glass, it gives to the optics IP54 protection degree.
- Complies with IEC 598.

ORDERING DATA

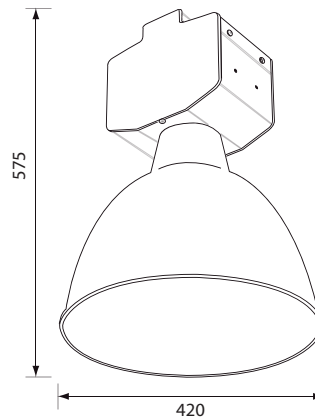
MODEL	LAMP	LAMP TYPE
ECO-INDY 250 MV	HSL-BW 250 E40	Mercury Vapour
ECO-INDY 400 MV	HSL-BW 400 E40	Mercury Vapour
ECO-INDY 250 HPS	SHP 250 E40	High Pressure Sodium
ECO-INDY 400 HPS	SHP 400 E40	High Pressure Sodium
ECO-INDY 250 MH	HSI 250 E40	Metal Halide
ECO-INDY 400 MH	HSI 400 E40	Metal Halide

SYLVANIA
HEAVY DUTY

INDY SERIES



DIMENSION (in mm.)

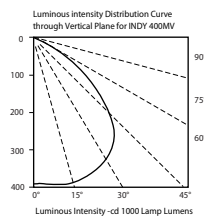


DESCRIPTION

Sylvania Indy fixture fulfills all the requirements for a highly efficient, general purpose highbay unit. Highly tooled, this sophisticated combination of satin etched 420 mm reflector and easy access control gear provides value for money lighting for many areas. Wire guards can be supplied if the application so desires. An E 40 lampholder is provided to accommodate the widest selection of lamp types encountered in the Thailand market. The reflector is fitted with three keyhole slots for simple mounting to the gear chamber which is manufactured from zinc coated steel sheet covered in polyester powders. Slots are provided in the reflector neck to provide upward light and a self cleaning flow through action. The Sylvania Indy units provide the economical choice, where performance and durability is required.

SPECIFICATION

- Reflector spun aluminium satin etched diffuse finish with ventilation self cleaning slots in neck.
- Reflector 420 mm diameter providing photometric characteristics, as detailed.
- Gear chamber of zinc steel sheet and High pressure die-cast aluminium alloy body for option.
- Retracting support hook.
- Lamp- 250, 400W MV, - 150, 250, 400W HPS, - 250, 400W Metalhalide
- Toughened protection glass, it gives to the optics I.P.54 protection degree.
- Ambient temperature up to 40°C
- Insulation Class 1
- Complies with EN 60598



ORDERING DATA

MODEL	LAMP	LAMP TYPE
INDY 250 MV	HSL-BW 250 W E40	Mercury Vapour
INDY 400 MV	HSL-BW 400 W E40	Mercury Vapour
INDY 250 HPS	SHP 250 W E40	High Pressure Sodium
INDY 400 HPS	SHP 400 W E40	High Pressure Sodium
INDY 250 MH	HSI 250 W E40	Metal Halide
INDY 400 MH	HSI 400 W E40	Metal Halide

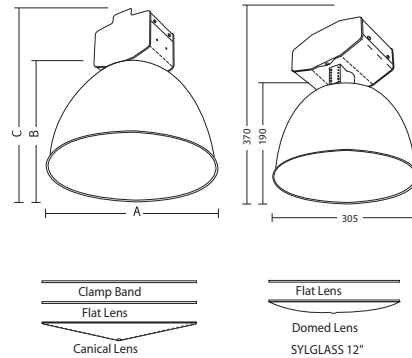
Accessories : Safety glass visor

SYLVANIA
HEAVY DUTY

SYLGLASS SERIES



DIMENSION (in mm.)



12

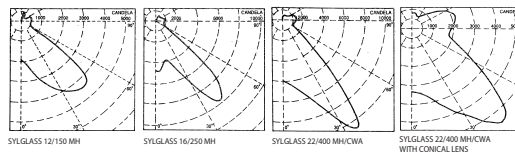
Highbay

DESCRIPTION

The Sylvania Sylglass Series maintains the excellent electrical and mechanical features of the Super Indy Series, yet offers excellent vertical and horizontal illumination. The prismatic reflector/refractor creates an atmosphere of low glare and minimum shadows. Ideal for environments requiring high light output ratios. The SYLGLASS Series also comes with an option for enclosed format. Integral HPF, 230V control equipment and makes electrical connection simple and positive, whilst a suspension hook loop provides for fixing. Lamp power ranges from 250W to 400W in several HID types. SYLGLASS features may be used in many situations, particularly where the quality of light is the prime consideration.

SPECIFICATION

- Clear acrylic reflector, 10 year limited warranty for not yellowing when used with high UV output light sources.
- Control gear housed within die-formed coated steel.
- Porcelain E 39/E 40 lampholder.
- Retracting support hooker.
- Optional accessories: non-prismatic acrylic domed lens and flat lens, prismatic drop lens and conical lens.
- Lamp - 70, 100, 150, 250, 400W metal halide or metalarc and compact fluorescent.
- IP20 (GEAR), IP44 (ENCLOSED VISOR ASSEMBLY).



ORDERING DATA

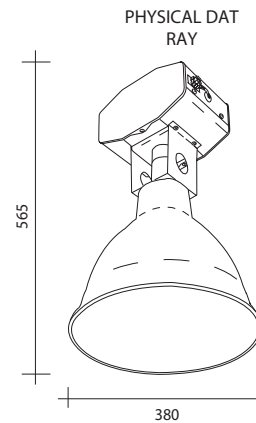
MODEL	LAMP	LAMP TYPE
SYLGLASS 12/20W	Minilyn 20W	Compact Fluorescent
SYLGLASS 12/26W	Lynx-D 26W	Compact Fluorescent
SYLGLASS 12/70W	HSI 70W E27	Metal Halide
SYLGLASS 12/150W	HSI 150W E27	Metal Halide
SYLGLASS 16/150W	HSI 150W E27	Metal Halide
SYLGLASS 16/250W	HSI 250W E40	Metal Halide
SYLGLASS 22/250W	HSI 250W E40	Metal Halide
SYLGLASS 22/400W	HSI 400W E40	Metal Halide

SYLVANIA
HEAVY DUTY

RAY SERIES



DIMENSION (in mm.)

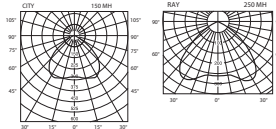


DESCRIPTION

The compact physical dimensions of the Sylvania CITY and RAY means that even in low and medium height industrial situations, there is no need to use fluorescent fixtures, the HID CITY and RAY do the job.

Reflectors are machine spun from diffusing grade aluminium and attach to a control gear housing of minimal vertical dimensions. The control gear container is formed of pre-painted sheet steel with pressformed end plates.

Reflectors feature a keyhole arrangement which mates with fitted projecting machine screws, thus installation is very quick and simple.



ORDERING DATA

MODEL	LAMP	LAMP TYPE
RAY 70 HPS	SHP 70W E27	High Pressure Sodium
RAY 150 HPS	SHP 150W E40	High Pressure Sodium
RAY 250 HPS	SHP 250W E40	High Pressure Sodium
RAY 400 HPS	SHP 400W E40	High Pressure Sodium
RAY 70 MH	HSI 70W E27	Metal Halide
RAY 150 MH	HSI 150W E27	Metal Halide
RAY 250 MH	HSI 250W E40	Metal Halide
RAY 400 MH	HSI 400W E40	Metal Halide
RAY 125W	HSL-BW 125W E27	Mercury Vapour
RAY 250W	HSL-BW 250W E40	Mercury Vapour
RAY 400W	HSL-BW 400W E40	Mercury Vapour

SPECIFICATION

TO CLEARLY DIFFERENTIATE THIS PRODUCT, THE FOLLOWING UNIQUE FEATURES SHOULD BE NOMINATED IN YOUR SPECIFICATION.

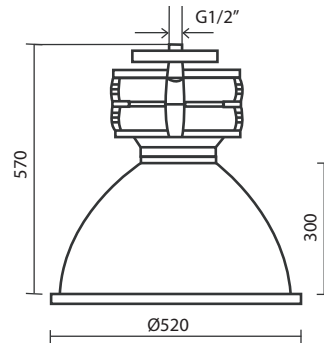
- Spun aluminium reflector with diffuse finish providing photometric performance to detail.
- Control gear housed within die-formed steel chamber with press formed end plates.
- Keyhole bayonet mounting slots and screws
- Lamp - 70 - 400W MH, HPS, MV.
- Complies with IEC 598.
- Closed visor IP54 (Closed neck version).

EURO SERIES



DIMENSION (in mm.)

PHYSICAL DATA ALL DIMENSIONS IN MILLIMETRES



14

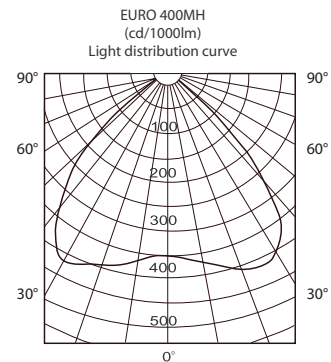
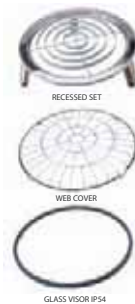
Highbay

DESCRIPTION

The EURO light fixture uses a high purity aluminium sheets which have good reflectivity and small glare. Its electrical box is made of die-casting aluminium alloy. Moreover, Its electric box and fixture are integrated into one body. This reasonable structure helps to prolong the service life of the light fixture. EURO fixtures may be used in many situations, particula where the quality of light is consideration.

SPECIFICATION

- 520mm aluminium reflector.
- Die-casting aluminium gear housing with IP65
- Porcelain E40 lampholder.
- Lamp - 250, 400w Mercury Vapour Metal Halide. (coated bulb), High Pressure Sodium
- Accessories-Glass visor, Web cover, Recessed set.



ORDERING DATA

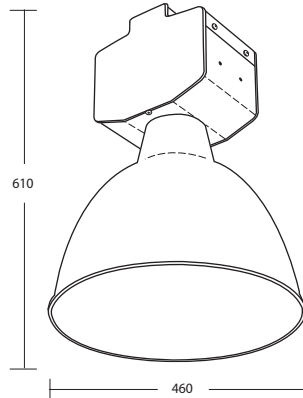
MODEL	LAMP	LAMP TYPE
EURO 250MV	HSL-BW 250W E40	Mercury Vapour
EURO 400MV	HSL-BW 400W E40	Mercury Vapour
EURO 250MH	HSI 250W E40	Metal Halide
EURO 400MH	HSI 400W E40	Metal Halide
EURO 250HPS	SHP 250W E40	High Pressure Sodium
EURO 400HPS	SHP 400W E40	High Pressure Sodium

SYLVANIA
HEAVY DUTY

SIGMA SERIES



DIMENSION (in mm.)



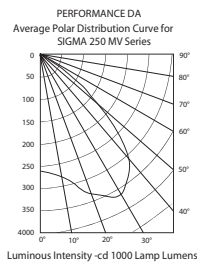
DESCRIPTION

The compact physical dimensions of the Sylvania SIGMA means that even in medium height industrial situations, there is no need to use fluorescent fixtures, the HID SIGMA does the job. Reflectors are machine spun from diffusing grade aluminium and attach to a control gear housing of minimal vertical dimensions. The control gear container is zinc coated steel sheet covered in polyester powders. Reflectors feature a keyhole arrangement which mates with fitted projecting machine screws, thus installation is very quick and simple.

SPECIFICATION

TO CLEARLY DIFFERENTIATE THIS PRODUCT, THE FOLLOWING UNIQUE FEATURES SHOULD BE NOMINATED IN YOUR SPECIFICATION. Spun aluminium reflector with diffuse finish providing photometric performance to detail.

- Control gear housed within zinc coated steel sheet covered in polyester powders.
- Keyhole bayonet mounting slots and screws.
- Lamp 250-400W HPS, MV, MH
- Complies with IEC 598.
- Toughened protection glass, it gives to the optics IP54 Protection degree.



ORDERING DATA

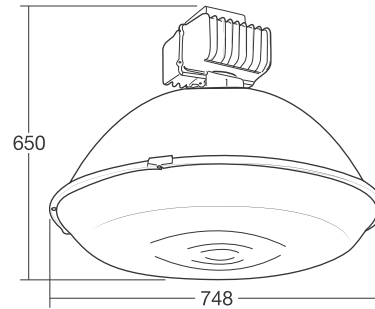
MODEL	LAMP	LAMP TYPE
SIGMA 250 MV	HSL-BW 250W E 40	Mercury Vapour
SIGMA 400 MV	HSL-BW 400W E 40	Mercury Vapour
SIGMA 250 HPS	SHP 250W E 40	High Pressure Sodium
SIGMA 400 HPS	SHP 400W E 40	High Pressure Sodium
SIGMA 250 MH	HSI 250W E 40	Metal Halide
SIGMA 400 MH	HSI 400W E 40	Metal Halide

SYLVANIA
HEAVY DUTY

SYLVAGLOW SERIES



DIMENSION (in mm.)



16

Highbay

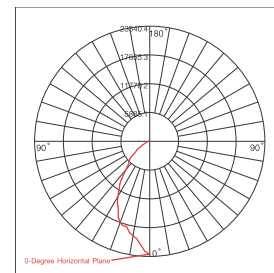
DESCRIPTION

The Sylvaglow Series provides an exceptional lighting solution for extended fixture spacings, often encountered in order sites, or where previous systems dictate the lighting design. The Optical System comprises of a sealed white painted refractor mated to an acrylic circular prismatic refractor. HPF, 220V control gear is factory wired into a low profile die-formed coated steel enclosure, complete with flex and plug. The refractor allows high wattage HID lamps to be used in medium to low ceiling height situations. The high performance refractor system provides comfortable visual conditions at high illuminance levels.

SPECIFICATION

- Insulation Class 1
- Complies with EN 60598
- Ambient temperature up to 40°C

SYLVAGLOW 400MH
POLAR GRAPH



ORDERING DATA

MODEL	LAMP	LAMP TYPE
Sylvaglow 250MV	HSL-BW 250W E40	Mercury Vapour
Sylvaglow 400MV	HSL-BW 400W E40	Mercury Vapour
Sylvaglow 250HPS	SHP 250W E40	High Pressure Sodium
Sylvaglow 400HPS	SHP 400W E40	High Pressure Sodium
Sylvaglow 250MH	HSI 250W E40	Metal Halide
Sylvaglow 400MH	HSI 400W E40	Metal Halide
Sylvaglow 1000MH	HSI 1000W E40	Metal Halide

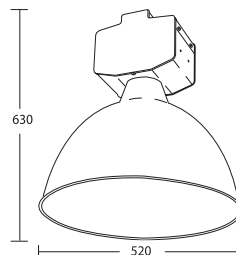
SYLVANIA
HEAVY DUTY

SYLVANIA SUPER INDY SERIES



DIMENSION (in mm.)

PHYSICAL DATA
ALL DIMENSIONS IN MILLIMETRES



Classification
 - open version I.P. 20
 - closed version I.P. 54
 - Complies with IEC 598
 - Electrical class I

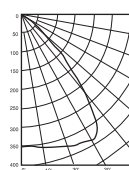
DESCRIPTION

The Sylvania Super Indy Series maintains the excellent electrical and mechanical features of Indy Series, yet presents a reflector of improved profile and finish. This 520 mm machine spun reflector features a highly specular finish with upper hemisphere peening for improved and more efficient light control. Even when used with Bright sources such as Clear lamp types, this reflector presents a positive cut-off and low brightness appearance when viewed from normal angles. Slots included in the reflector upper neck produce visible upward light and facilitate a self cleaning flow of convected air.

SPECIFICATION

- 520 mm specular peened reflector providing photometric performance to detail.
- Keyhole mounting arrangement with self cleaning slots.
- Gear chamber of zinc steel sheet and die-cast aluminium alloy body for option.
- Porcelain E 39/40 lampholder.
- Pre-fitted mounting loop.
- Lamp-250, 400, 1000W MV
 -250, 350, 400W HPS
 -250, 400, 1000W MH

PERFORMANCE DATA
Average Polar Distribution Curve
for Super Indy 400 MH Enclosed



Luminous Intensity -cd 1000 Lamp Lumens

ORDERING DATA

MODEL	LAMP	LAMP TYPE
S-INDY 250 MV	HSL-BW 250 E40	Mercury Vapour
S-INDY 400 MV	HSL-BW 400 E40	Mercury Vapour
S-INDY 1000 MV	HSL-BW 1000W E40	Mercury Vapour
S-INDY 250 MH	HSI 250W E40	Metal Halide
S-INDY 400 MH	HSI 400W E40	Metal Halide
S-INDY 250 HPS	SHP 250W E40	High Pressure Sodium
S-INDY 400 HPS	SHP 400W E40	High Pressure Sodium

SYLVANIA
HEAVY DUTY

The background of the advertisement is a photograph of a large stadium floodlight fixture at night. The fixture is a long, horizontal arm with a series of circular light lenses. Some of the lenses are illuminated from within, creating a bright, glowing effect. The background is a dark, deep blue, suggesting a night sky. The overall composition is dynamic, with the floodlight fixture angled across the frame.

SYLVANIA
HEAVY DUTY

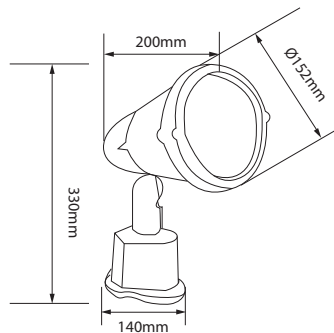
Floodlight

A REVOLUTION IN LIGHTING FIXTURES TECHNOLOGY

MAGNUM



DIMENSION (in mm.)



SPECIFICATION

Material aluminum
IP55

19

Floodlight

HI-SPOT95/120
75,100W/E27



75W = 7500 lm
100W = 10000 lm



ORDERING DATA

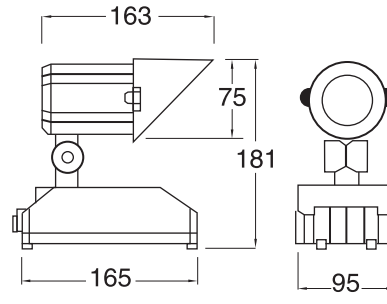
MODEL	LAMP	LAMP TYPE
MAGNUM 70 PAR 30	HI-SPOT 95 70W E27	Halogen
MAGNUM 150 PAR 38	HI-SPOT 120 150W E27	Halogen

SYLVANIA
HEAVY DUTY

AD SPOT



DIMENSION (in mm.)



20

Floodlight

SPECIFICATION

- Compact outdoor spotlight.
- Die-cast aluminium housing.
- High efficiency pure aluminium reflector.
- High protection class IP66



ORDERING DATA

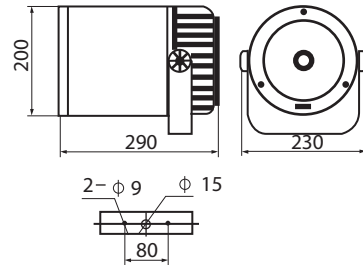
MODEL	LAMP	LAMP TYPE
AD SPOT	Britespot Es 50 35W GX10	Metal Halide

SYLVANIA
HEAVY DUTY

CANNON



DIMENSION (in mm.)



SPECIFICATION

- Round surface
- Round angle stand
- Heat spreading and decorative components
- Installed dial to provide angle indication
- Perfect reflector to provide nice lighting
- The house made of Aluminium material, the frame and connection box made of die-casting Aluminium
- Silicon rubber seal
- Outer screws made of stainless steel
- 5mm thickness temper glass
- High polish and pressing reflector
- IP65
- Class 1



CMI-T70/150wG12



70w=6600lm
150w=14000lm

ORDERING DATA

MODEL	LAMP	LAMP TYPE
CANNON 70 MH	HSI - T 70 W G12	Metal Halide
CANNON 150 MH	HSI - T 150 W G12	Metal Halide

SYLVANIA
HEAVY DUTY

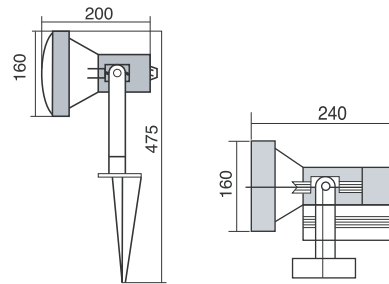
MICRON SERIES



MICRON I

MICRON II

DIMENSION (in mm.)



22

Floodlight

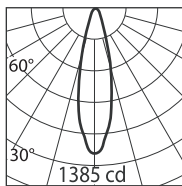
DESCRIPTION

Micron series are small fittings designed for both indoor and outdoor installations and are particularly suitable for highlighting area with dramatic effect. They are available in two version : MICRON I, for PAR 30 and PAR 38 lamps. MICRON II, for 70 - 150 G12 metal halide lamps.

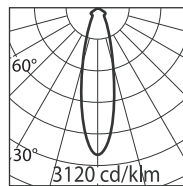
SPECIFICATION

- Body made from High pressure die-cast aluminium.
- Junction and electrical connection box (MICRON II) made in High pressure die-cast aluminium.
- Silicone gasket.
- Ingress protection IP55.
- Anti-impact flat toughened glass.
- Reflector is made of high pure aluminium.
- Ambient temperature up to 35°C
- Insulation class 1
- Complies with EN 60598
- Weight 1.75 Kgs.

PHOTOMETRIC DATA



MICRON PAR 30 75 W



MICRON 70 MH



LOUVRE



GLARE SHIELD



GROUND SPIKE

ORDERING DATA

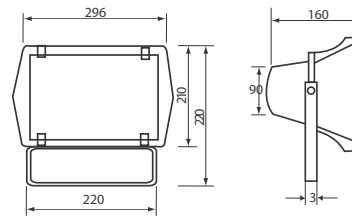
MODEL	LAMP	LAMP TYPE
MICRON I PAR 30	HI-SPOT95 75W E27	Halogen
MICRON I PAR 38	HI-SPOT120 120W E27	Halogen
MICRON II 70 MH	HSI-T 70W G12	Metal Halide
MICRON II 150 MH	HSI-T 150W G12	Metal Halide

SYLVANIA
HEAVY DUTY

METRO SERIES



DIMENSION (in mm.)



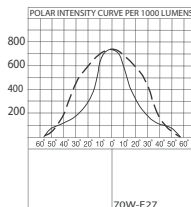
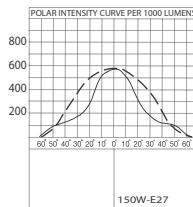
DESCRIPTION

Metro series is a comprehensive range of attractive, low cost floodlight for use in general purposes, extensive reflector in hammered aluminium, electrical equipment mounted at the reflector, ballast 220V/50Hz, ignitor and capacitor for temperature wiring.

SPECIFICATION

- High pressure die-casting aluminium alloy body
- Peened aluminium reflector
- Fix and secured by 3 holes in the bracket
- Reinforced protective glass
- Integral control gear
- Silicone gasket
- Maximum wattage 150W
- IP rating 65
- Ambient temperature up to 35°C
- Insulation Class 1
- Complies with EN 60598
- Weight 2.10 Kg.
- TIS 1955-2542

PHOTOMETRIC DATA



ORDERING DATA

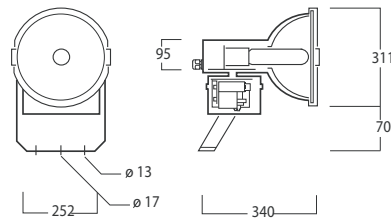
MODEL	LAMP	BEAM	LAMP TYPE
METRO 70 HPS	SHP 70W E27	Symmetrical Wide	High Pressure Sodium
METRO 70 MH	HSI 70W E27	Symmetrical Wide	Metal Halide
METRO 150 MH	HSI 150W E27	Symmetrical Wide	Metal Halide
METRO 70 MH	HSI-TD 70W Rx-7S	Symmetrical Wide	Metal Halide
METRO 150 MH	HSI-TD 150W Rx-7S	Symmetrical Wide	Metal Halide

SYLVANIA
HEAVY DUTY

MISSION SERIES



DIMENSION (in mm.)



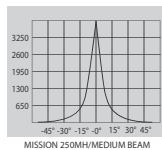
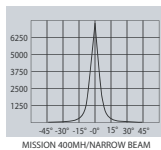
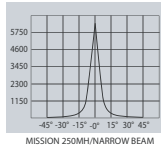
24

Floodlight

DESCRIPTION

Mission series are robust and versatile floodlight, providing effective lighting solutions for commercial applications. They are suitable for single ended tubular 250W and 400W lamps. The units are supplied complete with integral HPF, 220V control gear.

PHOTOMETRIC DATA



SPECIFICATION

- Body made of corrosion resistant die-casting aluminium alloy.
- Thermal shock resistant safety glass in a hinged die-cast aluminium alloy.
- Clear len for narrow beam and patterned len for medium beam.
- Weatherproof and durable silicone rubber gasket.
- High purity anodized reflector chemically brightened.
- Protection rating IP65.



ORDERING DATA

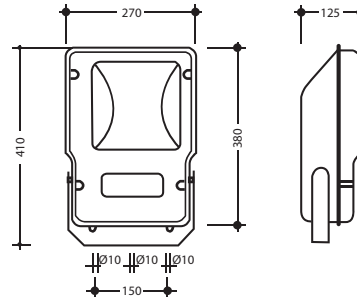
MODEL	LAMP	LAMP TYPE
MISSION 250 MH	HSI-T 250W E40	Metal Halide
MISSION 400 MH	HSI-T 400W E40	Metal Halide
MISSION 150 HPS	SHP-T 150W E40	High Pressure Sodium
MISSION 250 HPS	SHP-T 250W E40	High Pressure Sodium
MISSION 400 HPS	SHP-T 400W E40	High Pressure Sodium

SYLVANIA
HEAVY DUTY

JET SERIES



DIMENSION (in mm.)



DESCRIPTION

The Sylvania JET Series is a compact low wattage package ideal for installations requiring good lighting levels from a small source and relatively inexpensive to run.

Die-cast aluminium alloy body and frame protected by a coat of black anti-corrosive polyurethane paint. The gear chamber is integrated in the fixture and very easy for maintenance in the future.

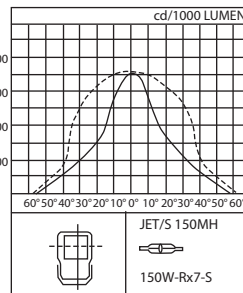
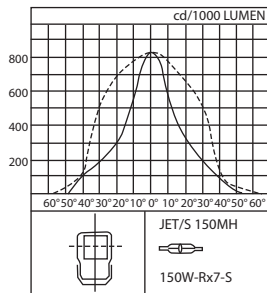
SPECIFICATION

Body: Die-cast aluminium with coating of black anti-corrosive polyurethane paint.
 Reflector: Highly pure aluminium, peened for symmetric and asymmetric versions and specular for circular version.
 Lens: 5 mm. tempered glass tightly secured to the cover.
 Control gear: Integral control gear.
 IP rating: 65
 Gasket: Silicone rubber sealed.
 Bracket: Galvanized painted steel with scaled index for vertical orientation

25

Floodlight

JET/S



ORDERING DATA

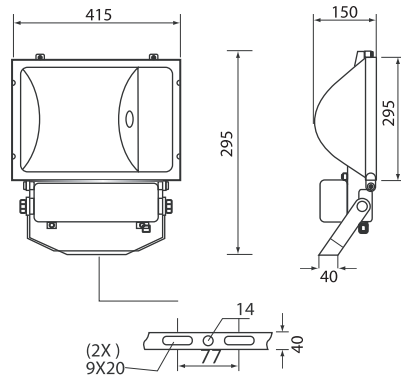
MODEL	LAMP	LAMP TYPE
JET/S 70 MH	HSI-TD 70W Rx-7S	Metal Halide
JET/S 150 MH	HSI-TD 150W Rx-7S	Metal Halide

SYLVANIA
HEAVY DUTY

VISION SERIES



DIMENSION (in mm.)



26

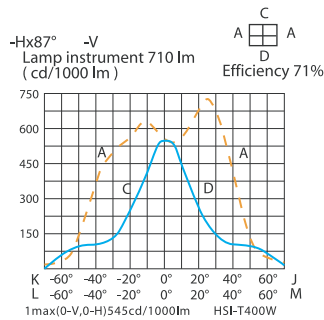
Floodlight

DESCRIPTION

Vision Series offer a medium size floodlight with the performance of a much larger unit. Compact, rugged and modern looking, this floodlight is the perfect choice for security lighting and floodlight. Suitable for illumination of buildings, auto dealerships or other areas requiring high performance luminaries. Available from 250w to 400w HPS and MH

SPECIFICATION

- High pressure die cast aluminium housing painted dark bronze .
- Front highed door sealed and gasketed.
- Anodized aluminium reflector with wide beam spread.
- Heat and shock resistant clear tempered glass.
- Ballast housing is attached but separate from optical assembly.
- 4KV pulse rated E40 base lamp holder
- Trunnion mount is standard.
- Ambient temperature up to 35°C
- Classification IP65
- Insulation Class 1
- Complies with EN 60598
- TIS 1955-2542



ORDERING DATA

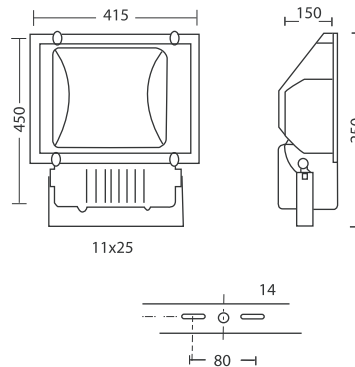
MODEL	LAMP	LAMP TYPE
VISION 250 HPS	SHP-T 250W E40	High Pressure Sodium
VISION 400 HPS	SHP-T 400W E40	High Pressure Sodium
VISION 250 MH	HSI-T 250W E40	Metal Halide
VISION 400 MH	HSI-T 400W E40	Metal Halide

SYLVANIA
HEAVY DUTY

ROCKET SERIES

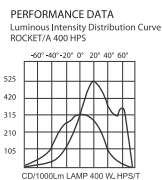


DIMENSION (in mm.)



DESCRIPTION

The ROCKET Series is an all purpose, general duty fixture configured for single ended tubular 250 and 400w lamps, with integral control gear. The fixture body and gear compartment are moulded from aluminium alloy through High pressure die-casting and the lens is toughened glass. The reflector is polished and peened providing a smooth general purpose beam. Other features include galvanised and powder coated trunnion bracket and silicon rubber gasketing. ROCKET is corrosion resistant and small in size, providing an ideal solution for most applications.



ORDERING DATA

MODEL	LAMP	LAMP TYPE
ROCKET/S/250MH	HSI-T 250 W E40	Metal Halide
ROCKET/S/400MH	HSI-T 400 W E40	Metal Halide
ROCKET/A/250MH	HSI-T 250 W E40	Metal Halide
ROCKET/A/400MH	HSI-T 400 W E40	Metal Halide
ROCKET/S/250HPS	SHP-T 250 W E40	High Pressure Sodium
ROCKET/S/400HPS	SHP-T 400 W E40	High Pressure Sodium
ROCKET/A/250HPS	SHP-T 250 W E40	High Pressure Sodium
ROCKET/A/400HPS	SHP-T 400 W E40	High Pressure Sodium

SPECIFICATION

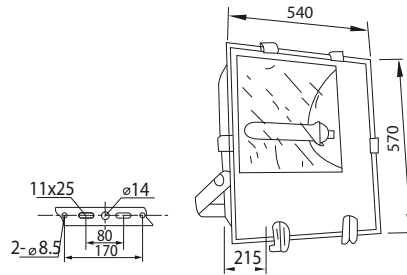
To clearly differentiate this product, the following unique features should be nominated in your specification.

- Aluminium alloy through High pressure die-casting.
- Toughened glass visor.
- 99.8% Polished and anodized aluminium reflector sheet with option of symmetric and asymmetric optics.
- Hot dipped galvanised steel trunnion (powder coated).
- Silicon rubber gasket.
- Integral control gear.
- Ingress protection: IP65
- Lamp-250, 400w Metal Halide, and high pressure sodium.
- Ambient temperature up to 40°C
- Classification IP 65
- Insulation Class 1
- Complies with EN 60598
- Weight 7.50 Kgs.
- TIS 1955-2542

ROCKET 1000 SERIES



DIMENSION (in mm.)



28

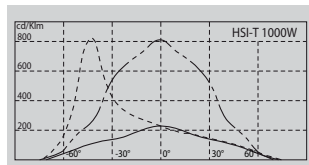
Floodlight

DESCRIPTION

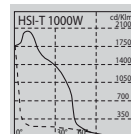
The Rocket 1000 series is an outdoor high performance projector for metal halide and high pressure sodium 1000W lamps. Two versions : peened and specular reflector external shape is made of aluminium alloy through die-casting. Its surface is treated with electrostatic plastic spraying. 5MM thick armored tempered safety glass with silicon rubber gasket. Reflector made of highly pure aluminium sheet polished, and anodized. The protective fastener type light fixture adapts new style aluminium alloy.

SPECIFICATION

- Aluminium alloy through die-casting.
- 5MM toughened tempered glass visor.
- 99.8 % polished and anodized aluminium reflector sheet with option of symmetric and asymmetric optics.
- Silicon rubber gasket.
- Internal control gear.
- Ingress protection: IP65.
- Lamp 1000W metal halide and high pressure sodium.



ASYMMETRIC NARROW



SYMMETRIC NARROW

ORDERING DATA

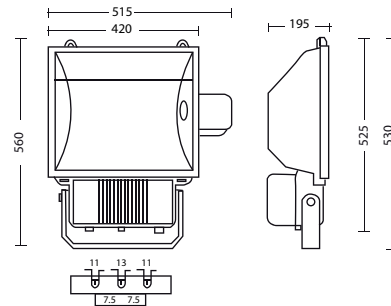
MODEL	LAMP	BEAM	LAMP TYPE
ROCKET/S/1000 MH	HSI-T 1000 E40	Symmetrical wide beam	Metal Halide
ROCKET/S/1000 HPS	SHP-T 1000 E40	Symmetrical wide beam	High Pressure Sodium
ROCKET/A/1000 MH	HSI-T 1000 E40	Asymmetrical wide beam	Metal Halide
ROCKET/A/1000 HPS	SHP-T 1000 E40	Asymmetrical wide beam	High Pressure Sodium
ROCKET/S/1000 MH	HSI-T 1000 E40	Symmetrical narrow beam	Metal Halide
ROCKET/S/1000 HPS	SHP-T 1000 E40	Symmetrical narrow beam	High Pressure Sodium
ROCKET/A/1000 MH	HSI-T 1000 E40	Asymmetrical narrow beam	Metal Halide
ROCKET/A/1000 HPS	SHP-T 1000 E40	Asymmetrical narrow beam	High Pressure Sodium

SYLVANIA
HEAVY DUTY

JET 1000 SERIES



DIMENSION (in mm.)



DESCRIPTION

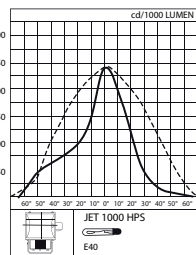
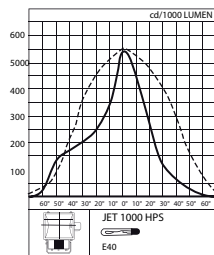
Sylvania JET 1000 Series is an outdoor high-performance projector for metal halide and high pressure sodium 1000W lamps. The two versions, peened and specular reflector, guarantee medium narrow and medium large beams for efficient lighting with low with low cost effective package.

SPECIFICATION

- Die-cast aluminium alloy body and frame coated in oven cured polyester powders, colour black, complete with thermally isolated control gear housing
- Reflector made of highly pure, aluminium sheet, polished and oxidized, peened and specular type
- Fixing bracket made of galvanized steel with sceleed index for vertical aiming.
- IP rating 65
- Integral control gear.

29

Floodlight



ORDERING DATA

MODEL	LAMP	LAMP TYPE
JET 1000 MH	HSI-T 1000W E40	Metal Halide
JET 1000 HPS	SHP-T 1000W E40	High Pressure Sodium

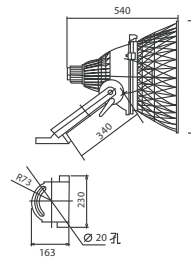
SYLVANIA
HEAVY DUTY

SUN SERIES

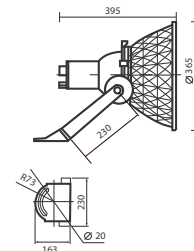


DIMENSION (in mm.)

All dimensions in mm.
SUN 1000



All dimensions in mm.
SUN 400



30

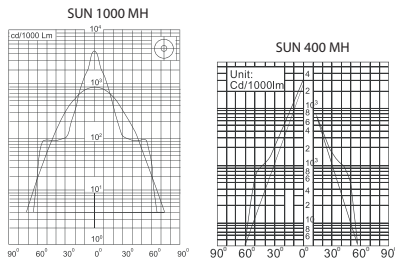
Floodlight

DESCRIPTION

The SUN SERIES is a versatile, efficient projector for applications for 250 through 1000w. Basically, the fixture consists of aluminium reflector coupled to the aluminium detachable housing for rear lamping requirements. The toughened glass visor is sealed with silicon rubber gasket, and the trunnion mount is incorporating an aiming scale

SPECIFICATION

- Aluminium reflector with high-pressure die-casting aluminium rear seat.
- Toughened safety glass.
- Rear lamping access.
- Silicon rubber gasket.
- Control gear remote IP55
- Ingress Protection : IP55
- Lamp 250, 400, 1000w metal halide and high pressure sodium.



SUN 400
Wide beam



SUN 400
Narrow beam



IP55
Gear box

ORDERING DATA

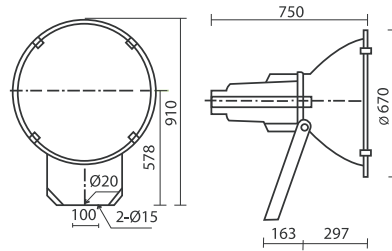
MODEL	LAMP	LAMP TYPE
SUN400/250MH	HSI 250W E40	Metal Halide
SUN400/400MH	HSI 400W E40	Metal Halide
SUN1000 MH	HSI 1000W E40	Metal Halide
SUN400/250HPS	SHP 250W E40	High Pressure Sodium
SUN400/400HPS	SHP 400W E40	High Pressure Sodium
SUN1000/1000HPS	SHP 1000W E40	High Pressure Sodium

SYLVANIA
HEAVY DUTY

CORONA SERIES

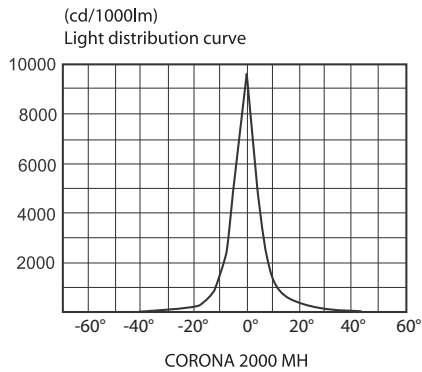


DIMENSION (in mm.)



SPECIFICATION

Range of truncated-cone floodlights using 1000W-2000W metal halide lamps and designed for the lighting of sporting events and architectural purposes.



CONSTRUCTION DATA

- Body : made of High pressure die-cast aluminium, is coated with grey polyester powders. (RAL 7035)
- Truncated-cone reflector : made of smooth, turned, polished, anodized and oxidized-aluminium sheet.
- Front glass : with a 5 mm-thick toughened closure fixed to the floodlight by means of four stainless steel hocks.
- Fixing bracket : in hot-galvanised steel, equipped with a goniometer to direct floodlight.
- Screws : made of stainless steel.
- Gaskets in silicone.
- Electrical components : are inside external watertight box.
- TIS 1955-2542

31

Floodlight

ORDERING DATA

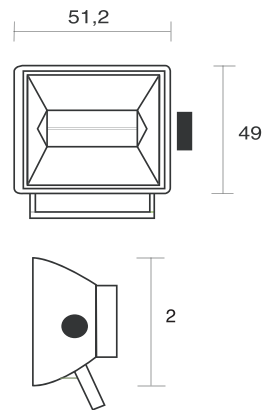
MODEL	LAMP	LAMP TYPE
CORONA 1000 MH	HSI-T 1000W E40	Metal Halide
CORONA 2000 MH	HSI-TS 2000W 380V E40	Metal Halide
CORONA 1000 HPS	SHP-T 1000W E40	High Pressure Sodium

SYLVANIA
HEAVY DUTY

LUNA SERIES



DIMENSION (in mm.)

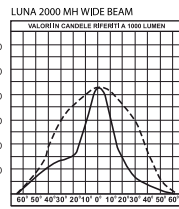
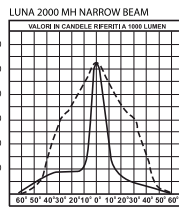


32

Floodlight

DESCRIPTION

LUNA is an high-efficiency outdoor projector for 2000W metal halide lamps, particular suited for the lighting of football pitches, sports grounds and large areas. The materials used in its manufacture make the LUNA projector a performance but small and light



SPECIFICATION

- Body and cable compartment in High pressure die-cast aluminium coated with black epoxidic powders.
- Glass frame in High pressure die cast aluminium coated with black epoxidic powders.
- Front tempered glass resistant to high temperatures and to thermal shock.
- Stainless steel springs for closing the frame.
- Anti-ageing gaskets in silicone rubber.
- Hot deep galvanized sheet steel fixing bracket with index for vertical orientation.
- Lampholder E 40, cable gland PG 13,5.
- Reflector in very pure aluminium, polished and oxidised.
- The wiring compartment can be used as a junction box, or as housing for the ignitor.
- CABLE SERVICE series boxes complete with electrical accessories are available for the power supply of the lamp.
- All the electrical components are produced according to the Italian Quantity Standards and the projector is manufactured according to EN 60598
- DEGREE OF PROTECTION : IP65
- There is a door in the back of the fitting that allows the access to the lamp without removing the front glass.
- Ambient temperature up to 35 °C
- Insulation Class 1
- Weight 14.50 Kgs.
- TIS 1955-2542

ORDERING DATA

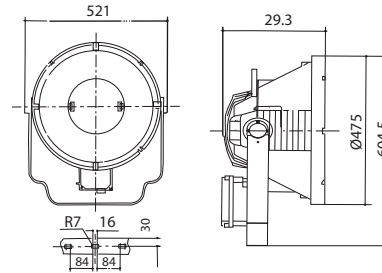
MODEL	TYPE OF REFLECTOR	LAMP	LAMP TYPE
LUNA 2000 MH	Symmetric / Narrow	HSI-TS 2000W E40	Metal Halide
LUNA 2000 MH	Symmetric / Wide	HSI-TS 2000W E40	Metal Halide

SYLVANIA
HEAVY DUTY

GIANT SERIES



DIMENSION (in mm.)



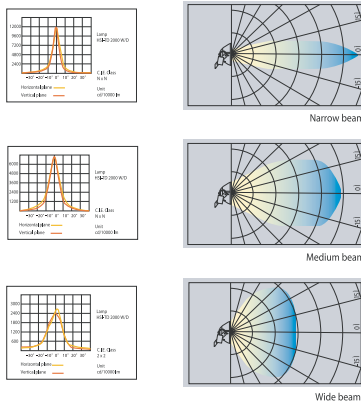
DESCRIPTION

Giant 2000 is a high performance range of floodlights for use sports stadiums using corner mast systems. Of compact design and incorporating an anti-glare baffle, the giant provides precision optical coupled with reduced weight and windage compared to conventional stadium floodlighting. Suitable for use on masts, it is an ideal choice for use in new stadium or in upgrading existing

SPECIFICATION

- High purity aluminium reflector 99.8%, electropolished, anodized
- Internal baffle to improve efficiency, reduce glare and restrict overspill
- Rear lamp housing of cast aluminium. Back section poens on stainless steel bolts
- Chemically toughened front glass 5 mm. thickness sealed by silicone rubber gasket
- Ignitor located within floodlighting sirrup, pre-wired ready for connection to remote control gear
- Equipped with the metal halide 2000W cable (HSI TD/2000W)
- Operating voltage 380V/50Hz
- Weight 11.58 KGS
- IP rating 65
- Optional wire mesh stainless steel
- Ambient temperature up to 35°C
- Insulation Class 1
- Complies with EN 60598

ORDERING DATA



ORDERING DATA

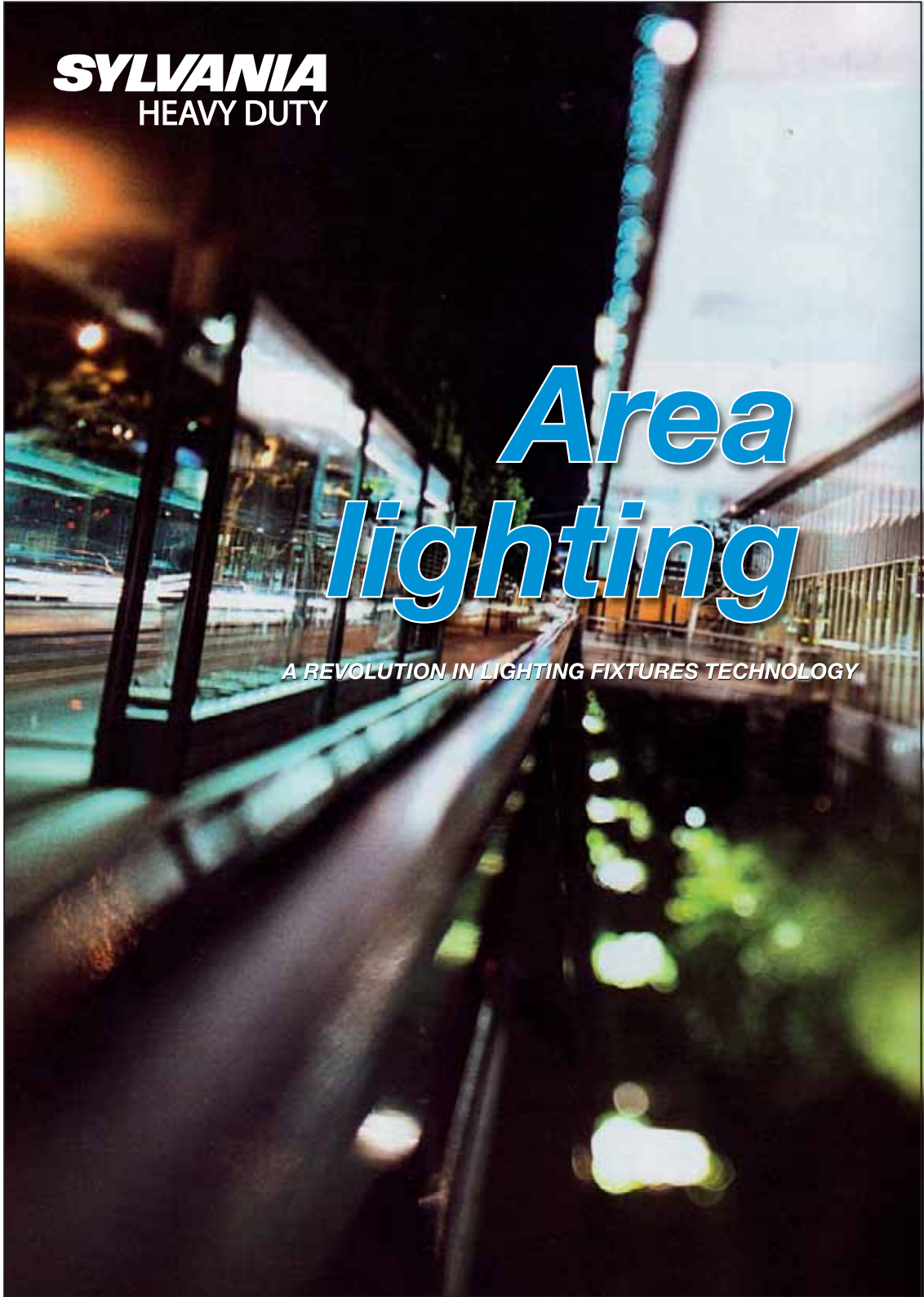
MODEL	REFLECTOR	LAMP	LAMP TYPE
GIANT 2000	Circular / Narrow	HIS-TD 2000W CABLE	Metal Halide

SYLVANIA
HEAVY DUTY

SYLVANIA
HEAVY DUTY

Area lighting

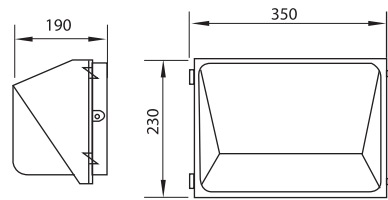
A REVOLUTION IN LIGHTING FIXTURES TECHNOLOGY



DUNE 3



DIMENSION (in mm.)



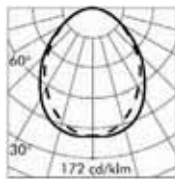
SPECIFICATION

Materials and features:

The housing is made of high-pressure die casting aluminum alloy, with the features of light and handy structure, fastness and corrosion proof. Borax glass len, with the light transmittance of over 85% and the good shock resistance; the light beam is soft through the reflection of the edge glass. High purity aluminum reflector, through the surface oxide coating, guarantees the high output of the light fixture has high efficiency. New type elastic seal ring, with the high temperature resistance of over 250°C, effectively guarantees the silicon rubber non-aging and ensures the level of protection is IP65 in a long term.

Applicable places:

Applicable to the illumination of metros, tunnels, bridge opening and culvert etc.



	88°	94°	
h(m)	ØCo(m)	ØC90(m)	Em(lx)
2	3.90	4.26	27
4	7.80	8.52	7
6	11.70	12.78	3
8	15.60	17.04	2
10	19.48	21.30	1



Luminous Intensity- cd 1000 Lamp Lumens

ORDERING DATA

MODEL	LAMP	LAMP TYPE
DUNE 3	Lynx-d13W G24d-1	Fluorescent
DUNE 3 70 HPS	SHP-T 70W E27	High Pressure Sodium

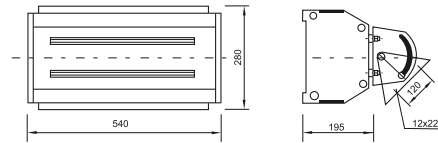
SYLVANIA
HEAVY DUTY

SYL-PROTECT SERIES



DIMENSION (in mm.)

SYL-PROTECT 250 HP



(cd/1000lm)
Light distribution curve

36

Area Lighting

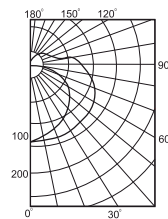
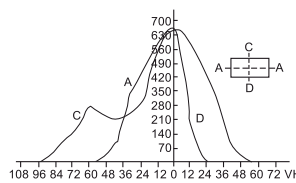
DESCRIPTION

SYL - PROTECT Series is high performance fitting in extruded aluminium and toughened glass, suitable for both indoor and outdoor applications. SYL-PROTECT can be installed on ceiling or wall (horizontally by using two supports, supplied with the fitting.)

The fixture body and gear compartment for H.I.D. lamp version are moulded from aluminium alloy through die-casting and the lens is toughened glass. The reflector is polished and peened providing a smooth general purpose beam. Other features include galvanised and powder coated trunnion bracket and silicon rubber gasketing.

SPECIFICATION

- Case is made of aluminium alloy for H.I.D. lamp and extruded aluminium for fluorescent lamp.
- Reflector is made of high-pure aluminium.
- Toughened and tempered glass tightly secured to the cover.
- Integral control gear.
- Silicone rubber gasket.
- Two types of support: fixed galvanized steel support and adjustable galvanized steel support.
- Protection rating: IP65



ORDERING DATA

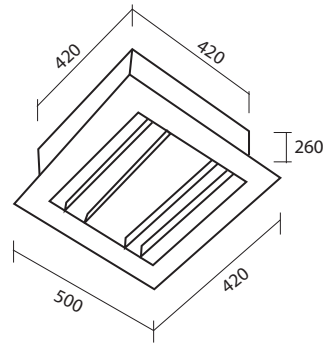
MODEL	LAMP	LAMP TYPE
SYL-PROTECT 150HPS	SHP-T 150W E40	High Pressure Sodium Lamp
SYL-PROTECT 250HPS	SHP-T 250W E40	High Pressure Sodium Lamp
SYL-PROTECT 400HPS	SHP-T 400W E40	High Pressure Sodium Lamp
SYL-PROTECT 250MH	HSI-T 250W E40	Metal Halide Lamp
SYL-PROTECT 400MH	HSI-T 400W E40	Metal Halide Lamp

SYLVANIA
HEAVY DUTY

SYLTECH SERIES



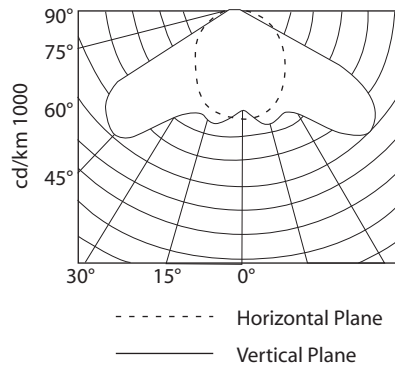
DIMENSION (in mm.)



DESCRIPTION

The Sylvania Series is designed and developed for specialist applications requiring recessed mountings in awnings and canopies. The luminaire body is a fabricated assembly and finished in white Powder Coat. The optical chamber incorporates polished anti glare louvers, with specular and peened finished main reflectors. The optical chamber is sealed by toughened glass lens and silicon gasketing. HPF, 240V control gear is integral up to 400W, and the unit provides a symmetric distribution.

Luminous Intensity Distribution Curve for Syltech Symmetrical MH 250W



ORDERING DATA

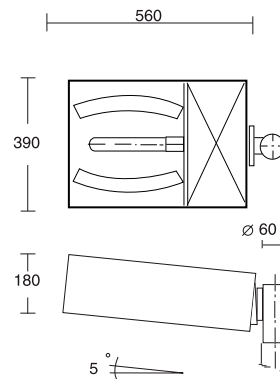
MODEL	LAMP	LAMP TYPE
SYLTECH 150HPS	SHP-T 150W E40	High Pressure Sodium
SYLTECH 250HPS	SHP-T 250W E40	High Pressure Sodium
SYLTECH 400HPS	SHP-T 400W E40	High Pressure Sodium
SYLTECH 250MH	HSI-T 250W E40	Metal Halide
SYLTECH 400MH	HSI-T 400W E40	Metal Halide

SYLVANIA
HEAVY DUTY

GSA SERIES



DIMENSION (in mm.)



38

Area Lighting

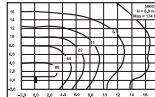
DESCRIPTION

The GSA Series is a contemporary fixture designed to provide low glare and minimal spill to surrounds of sporting and commercial applications. The body is fabricated from aluminium and finished in Black Polyester Powder Coat. The hinged visor is toughened glass and sealed by silicone rubber gasket. The control gear is integral and mounting is via a horizontal spigot arrangement. Two types of reflector are provided: Asymmetric type for forward throw light and Cut off specular type for along the street light..

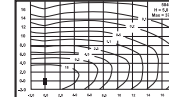
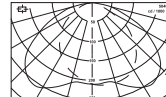
SPECIFICATION

- Housing: one piece corrosion resistant die-cast formed aluminium uni-body construction completely water tight.
- Control gear: a separate tray but integral part of the main housing.
- Reflector: anodized high purity aluminium reflector chemically brightened.
- Lens assembly: 5 mm. tempered glass lens fully framed in extruded aluminium frame, silicone sealed and gasketed lens assembly is mounted to housing.
- Protection rating: IP54

ASYMMETRIC 250W MH



CUT-OFF 70W HPS



ORDERING DATA

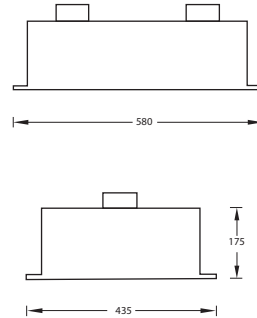
MODEL	LAMP	LAMP TYPE
GSA 70 HPS	SHP 70 W E27	High Pressure Sodium
GSA 150 HPS	SHP 150 W E40	High Pressure Sodium
GSA 250 HPS	SHP-T 250 W E40	High Pressure Sodium
GSA 400 HPS	SHP-T 400 W E40	High Pressure Sodium
GSA 1000 HPS	SHP-T 1000 W E40	High Pressure Sodium
GSA 250 MV	HSL-BW 250 W E40	Mercury Vapour
GSA 400 MV	HSL-BW 400 W E40	Mercury Vapour
GSA 250 MH	HSI-T 250 W E40	Metal Halide
GSA 400 MH	HSI-T 400 W E40	Metal Halide
GSA 1000 MH	HSI-T 1000 W E40	Metal Halide

SYLVANIA
HEAVY DUTY

GSC SERIES



DIMENSION (in mm.)



DESCRIPTION

The Sylvania GSC Series is a contemporary fixture designed to provide low glare and minimal spill to surrounds for sporting and commercial applications.

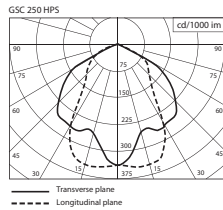
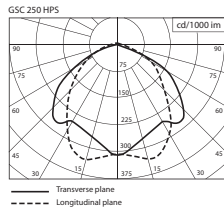
The body is fabricated from aluminium and finished in White Powder Coat. The hinged visor is toughened glass and sealed by silicone rubber gasket. Control gear is integral and mounting device is on the back side of fixture.

The GSC Series provides a neat architectural appearance and requires low mounting heights up to 5 metres for successful operation.

SPECIFICATION

TO CLEARLY DIFFERENTIATE THIS PRODUCT, THE FOLLOWING UNIQUE FEATURES SHOULD BE NOMINATED IN YOUR SPECIFICATION.

- Aluminium body (powder coated) with recessed or surface mounted device.
- Anodized aluminium reflector, wide beam light distribution.
- Toughened glass visor (hinged)
- Silicone rubber gasket.
- Integral Control Gear.
- Photometric performance to detail.
- Lamp 250 w. 400 w Mercury Vapour, Metal Halide. High Pressure Sodium
- IP 54 conforming to DIN, VDE, IEC, Class 1.



ORDERING DATA

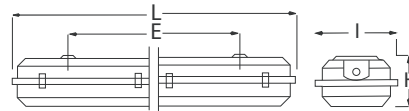
MODEL	LAMP	LAMP TYPE
GSC 250 MV	HSL-BW 250W E40	Mercury Vapour
GSC 400 MV	HSL-BW 400W E40	Mercury Vapour
GSC 250 MH	HSI-T 250W E40	Metal Halide
GSC 400 MH	HSI-T 400W E40	Metal Halide
GSC 250 HPS	SHP-T 250W E40	High Pressure Sodium
GSC 400 HPS	SHP-T 400W E40	High Pressure Sodium

SYLVANIA
HEAVY DUTY

SYLPROOF SERIES



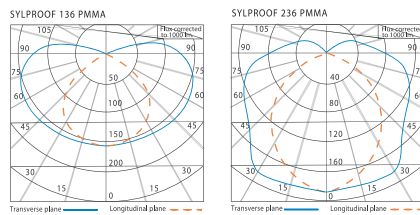
DIMENSION (in mm.)



Lamp	L	I	H	E	LOR
1 x 18W	675	112	100	50	0.9
1 x 36W	1278	112	100	102.5	1.65
1 x 58W	1581	112	100	96	2
2 x 18W	675	116	100	50.3	1.3
2 x 36W	1278	116	100	103.5	2.5

DESCRIPTION

Body made of compressed fibre glass reinforced polyester using long glass fibres, with cable entry throught the ends. Injected diffuser in methacrylate or polycarbonate, with internal linear prisms and internally frosted upper outline. Injected gasket in polyamide to ensure water repellence. Removable rigid gear tray in white painted sheet steel, with a terminal block at one end ; for maintenance, gear tray suspended by polyamide cords. Plastic or stainless steel ; option locking devices allow the retention of the diffuser to the body during maintenance. The number of latches provide even pressure on the gasket. For the 18 W there are 4 latches, 36 W : 8, 58 W : 10.



SPECIFICATION

TECHNICAL CONSTRUCTION OF THE BODY
Three techniques are generally used to manufacture the bodies of waterproof luminaires :

- 1/ Injected thermoplastic material are cost-effective but provide only a limited resistance to chemical substances and high temperatures.
- 2/ Injected polyester provides good protection against chemical substances and heat, but limited mechanical resistance.
- 3/ Compressed fibre glass reinforced polyester with long glass fibres is the most expensive but provides the best protection against chemical substances, heat and impact.
- 4/ Ambient Temperature up to 35 IC Classification IP 65, Complies with EN 60598

Easy installation

- Special grommet with one way cable restraint.



- Terminal block fixed close to the cable entry eliminating the need for high temperature cable and long terminations.

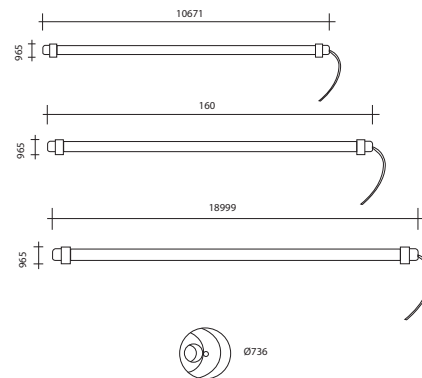
ORDERING DATA

MODEL	LAMP	LAMP TYPE
SYLPROOF 1x18W	Fluorescent 18W G13	Fluorescent T8
SYLPROOF 1x36W	Fluorescent 36W G13	Fluorescent T8
SYLPROOF 1x56W	Fluorescent 56W G13	Fluorescent T8
SYLPROOF 2x18W	Fluorescent 18W G13	Fluorescent T8
SYLPROOF 2x36W	Fluorescent 36W G13	Fluorescent T8

SYLPROOF X



DIMENSION (in mm.)



SPECIFICATION

Industrial & Construction Light available from 18W to 58W, made of polycarbonate tubes, approved for IP 68, resistant against various environmental effects, excellent light-output, impact resistant and dustproof, suitable for operation with any kind of industrial construction and approved for use in wet locations, can be put underwater 5M.



Area lighting

ORDERING DATA

MODEL	LAMP	LAMP TYPE
SYLPROOF X 18W	Fluorescent 18 W G13	Fluorescent T8
SYLPROOF X 36W	Fluorescent 36 W G13	Fluorescent T8
SYLPROOF X 58W	Fluorescent 58 W G13	Fluorescent T8

SYLVANIA
HEAVY DUTY

Streetlight

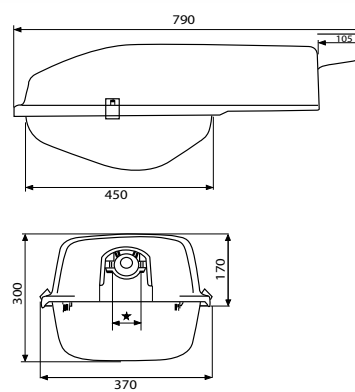
A REVOLUTION IN LIGHTING FIXTURES TECHNOLOGY



STAR 1 SERIES



DIMENSION (in mm.)



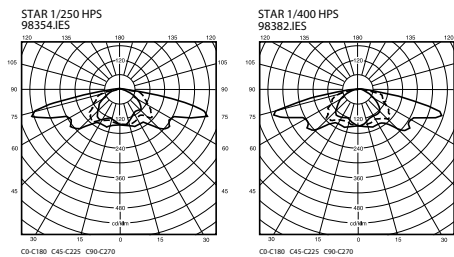
DESCRIPTION

This fixture forms a vital part of Sylvania Street lighting family by catering specifically for high pressure sodium, high pressure mercury and metal halide lamps up to 400 watts.

SPECIFICATION

- Canopy and gear compartment made of corrosion resistant high pressure die cast aluminium.
- Clear metacrylate bowl with high temperature resistance or polyurethane transparent cover.
- High purity aluminium reflector chemically anodized for additional protection.
- One piece deepdrawn optical system (optimized for clear tubular lamps).
- Bowl hinges automatically on housing after releasing the two stainless steel clips.
- Easy access to gear compartment through hinging geartray access door.
- Control gear is mounted on easily removable geartray, hence easy maintenance.
- Lamp position for cut-off position.
- Adjustable reflector position to optimize performance with each wattage.
- Mounting arrangement accepts to 60 mm O.D. maximum pipe size.

Luminous intensity Distribution as Polar Diagram



ORDERING DATA

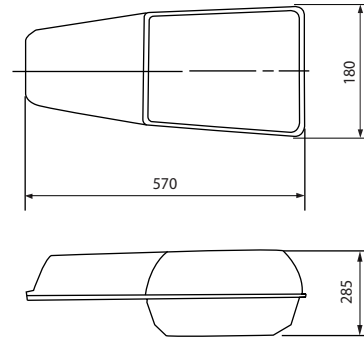
MODEL	LAMP	LAMP TYPE
STAR 1/250 MV	HSL-BW 250W E40	Mercury Vapour
STAR 1/250 HPS	SHP-T 250W E40	High Pressure Sodium
STAR 1/400 HPS	SHP-T 400W E40	High Pressure Sodium
STAR 1/250 MH	HSI-T 250W E40	Metal Halide
STAR 1/400 MH	HSI-T 400W E4	Metal Halide

SYLVANIA
HEAVY DUTY

STAR 2 SERIES



DIMENSION (in mm.)



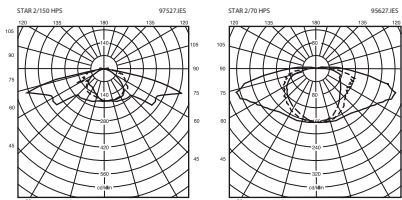
44

Streetlight

DESCRIPTION

Originally designed to fulfil the requirements of Minor Road Street Lighting, the control gear is mounted direct to the body chamber or on a removable gear cassette, as required, which is easily accessed by removing. Both the lantern head and gear chamber form two discrete weatherproof IP54, IP23 chambers. Sylvania creates the opportunity to provide area or street lighting with an efficient attractively finished durable luminaire.

Luminous intensity Distribution as Polar Diagram



SPECIFICATION

TO CLEARLY DIFFERENTIATE THIS PRODUCT, THE FOLLOWING UNIQUE FEATURES SHOULD BE NOMINATED IN YOUR SPECIFICATION.

- Clear metacrylate bowl with high temperature and impact resistance.
- High purity bright anodized top and side reflectors (above 99.85% aluminium).
- Suitable for rear mounting on mast-arms of up to 48 mm.
- The body is made of high pure aluminium through die-cast forming process.
- Easy access to gear compartment through hinging gear tray door.
- Electrical unit, comprising all electrical gear parts, is mounted on a removable geartray door giving easy maintenance.

ORDERING DATA

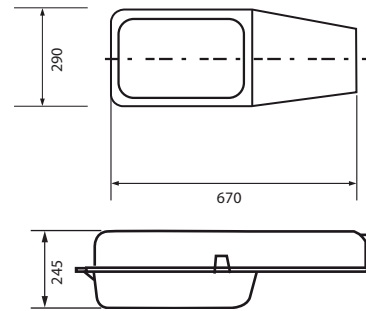
MODEL	LAMP	LAMP TYPE
STAR 2/25W	CFL 25W E27	Compact Fluorescent
STAR 2/2x26W	CFL 26W G24d-3	Compact Fluorescent
STAR 2/80 MV	HSL-BW 80W E27	Mercury Vapour
STAR 2/125 MV	HSL-BW 125W E27	Mercury Vapour
STAR 2/70 MH	HSI-MP 70W E27	Metal Halide
STAR 2/150 MH	HSI-MP 150W E27	Metal Halide
STAR 2/70 HPS	SHP 70W E27	High Pressure Sodium
STAR 2/150 HPS	SHP 150W E27	High Pressure Sodium

SYLVANIA
HEAVY DUTY

STAR 3 SERIES



DIMENSION (in mm.)



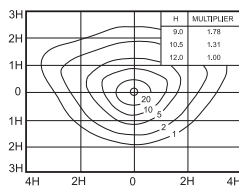
DESCRIPTION

The fixture forms a crucial part of the sylvania street lighting family especially for 70/150/250 watt coated and clear H.I.D. lamps conforming to DIN, VDE, IEC. This fixture is economy mode and the body is made of high pure aluminium through die-cast forming process, surface plastic spraying process. The reflector is made through special process. and the lamp cover is made from acrylic material. It is of light weight, attractive appearance, easy maintenance due to electric parts fitted inside the light fixture. It is ideal light fixture.

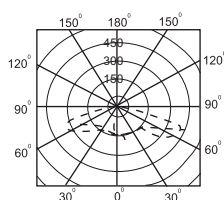
SPECIFICATION

- TO CLEARLY DIFFERENTIATE THIS PRODUCT, THE FOLLOWING UNIQUE FEATURES SHOULD BE NOMINATED IN YOUR SPECIFICATION.
- Clear acrylic bowl with high temperature and impact resistance.
 - High purity bright anodized top and side reflectors. (above 99.85% aluminium.)
 - Suitable for rear mounting on mast-arms of up to 60 mm O.D.
 - The body is made of high pure aluminium through die-cast forming process.
 - Easy access to gear compartment through hinging gear tray door.
 - Electrical unit, comprising all electrical gear parts, is mounted on a removable geartray door giving easy Maintenance.
 - Lamp compartment IP54, Gear compartment IP23, Complies with IEC 598
 - Adjustable lamp position for cut-off or semi-cut-off position.

Isolux Diagram for STAR 3
250HPS
H = 12.0m U = 5



Light distribution curve (cd/1000lm)



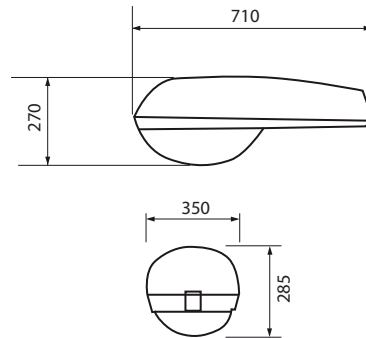
ORDERING DATA

MODEL	LAMP	LAMP TYPE
STAR 3/150 HPS	SHP-T 150 W E40	High Pressure Sodium
STAR 3/150 MH	HSI-MP 150 W E40	Metal Halide
STAR 3/250 HPS	SHP-T 250 W E40	High Pressure Sodium
STAR 3/250 MH	HSI-T 250 W E40	Metal Halide
STAR 3/250 MV	HSL-BW 250 W E40	Mercury Vapour

MATRIX I SERIES



DIMENSION (in mm.)



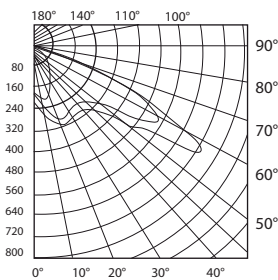
46

Streetlight

DESCRIPTION

The body of MATRIX I is made of die-casting aluminium alloy. It features good design structure, high strength and durability. It can be used with high pressure sodium lamp range up to 400w. MATRIX I gives the excellent light performance to all kinds of roadway.

MATRIX I
(cd/1000lm)
Light distribution curve



SPECIFICATION

- MATRIX I SERIES is made of die-casting aluminium alloy body.
- Its transparent cover is made of hard borax glass which has good resistance against impact and send out better light
- Its reflector is made of high-purity aluminium shaped by pressing and treated with anode. oxidation. An air filter is used inside the light to make sure that the output of luminous flux is kept high and attenuation by the reflector factor is minimized.
- With an integrated structure, the electrical components are installed inside the fixture which makes maintenance very easy.
- Fixing dimension is 60 mm.
- Overall dimension: 740x350x285 mm.
- IP Rating: lamp compartment IP55, gear compartment IP23, insulation class 1
- Adjustable lamp position for cut-off or semi-cut-off position.

ORDERING DATA

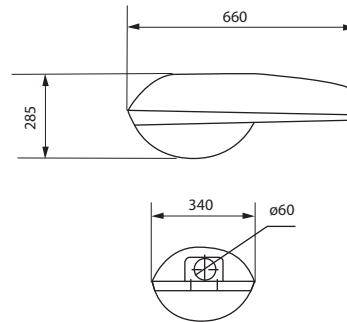
MODEL	LAMP	LAMP TYPE
MATRIX I/250 MV	HSL-BW 250W E40	Mercury Vapour
MATRIX I/400 MV	HSL-BW 400W E40	Mercury Vapour
MATRIX I/250 HPS	SH-P-T 250W E40	High Pressure Sodium
MATRIX I/400 HPS	SH-P-T 400W E40	High Pressure Sodium

SYLVANIA
HEAVY DUTY

MATRIX II SERIES



DIMENSION (in mm.)

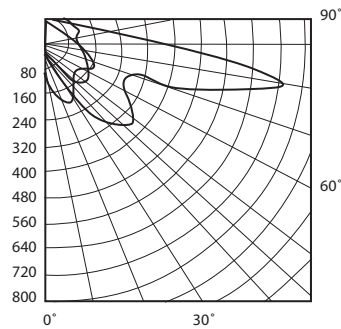


SPECIFICATION

- MATRIX II SERIES are made of die-casting aluminium alloy body.
- Its transparent cover is made of hard borax glass which has good resistance against impact and send out better light.
- Its reflector is made of high-purity aluminium shaped by pressing and treated with anode. oxidation. An air filter is used inside the light to make sure that the output of luminous flux is kept high and attenuation by the reflector factor is minimized.
- With an integrated structure, the electrical components are installed inside the fixture which makes maintenance very easy.
- Fixing dimension is 60 mm.
- Overall dimension: 710x335x270 mm.
- IP Rating: lamp compartment IP55, gear compartment IP23, insulation class1
- Adjustable lamp position for cut-off or semi-cut-off position.

MATRIX II
(cd/1000lm)

Light distribution curve



ORDERING DATA

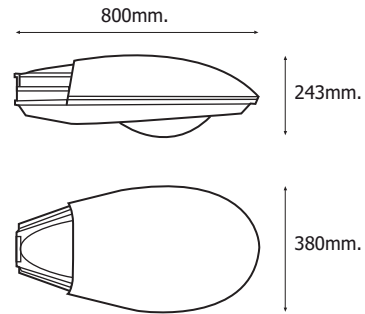
MODEL	LAMP	LAMP TYPE
MATRIX II/250MV	HSL-BW 250W E40	Mercury Vapour
MATRIX II/250MH	HSI-T 250W E40	Metal Halide
MATRIX II/250HPS	SHP-T 250W E40	High Pressure Sodium

SYLVANIA
HEAVY DUTY

CLIP



DIMENSION (in mm.)



48

Streetlight

SPECIFICATION

Street lighting Luminaires Cut-off The Clip Series is a highly innovative and functional luminaire. The simplicity of its use is combined with the attractive appearance. Access to the lamp and control gear is via a single action of the discrete stainless steel latch. The die-cast aluminium body, together with extensive use of stainless steel, silicon and other quality materials allows both the optical and gear compartments to enjoy an IP66 rating, reducing maintenance costs and increasing performance to exceptional levels.

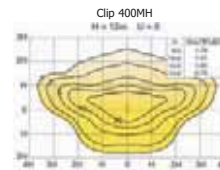
The adjustable lamp position, sealed optical compartment, acrylic or glass dished bowl and glass aeroscreen provides an extensive distribution selection with high grade aluminium anodized. The High Power Factor 240V integral control gear is isolated upon opening of the luminaire and is secured on a removable gear tray.



Side Entry suitable for 60mm diameter spigots



Post Top 60mm and 73mm diameter column adjustable upcast 0, 5, 10 and 15



ORDERING DATA

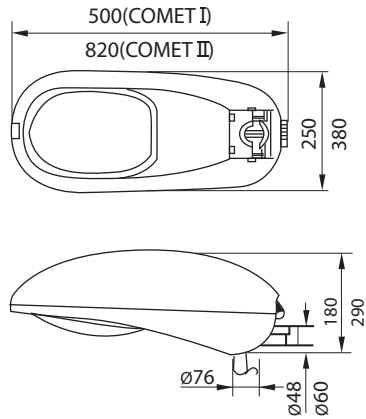
MODEL	LAMP	LAMP TYPE
Clip 150HPS	SHP-T 150W E40	High Pressure Sodium
Clip 250HPS	SHP-T 250W E40	High Pressure Sodium
Clip 400HPS	SHP-T 400W E40	High Pressure Sodium
Clip 250MH	HSI-T 250W E40	Metal Halide
Clip 400MH	HSI-T 400W E40	Metal Halide

SYLVANIA
HEAVY DUTY

COMET SERIES

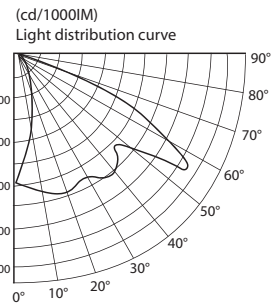


DIMENSION (in mm.)



SPECIFICATION

Materials and features: The fixture is made of aluminium alloy die-casting. The reflector of the stretched light fixture adopts the high purity aluminium and has been treated by anodic oxidation. The light fixture adopts the structure of changing bulbs internally, and is equipped with a filter, ensuring the high output of the light flux and avoiding the attenuation of the reflection ratio. The general installation converter is applied to realize the horizontal and top installation, and can be adjusted as required, to meet the requirements of different places.



49

Streetlight

ORDERING DATA

MODEL	LAMP	LAMP TYPE
COMET I 170 HPS	SHP 70W E40	High Pressure Sodium
COMET I 150 HPS	SHP-T 150W E40	High Pressure Sodium
COMET I 170 MH	HSI-T 70W E40	Metal Halide
COMET I 150 MH	HSI-T 150W E40	Metal Halide
COMET II 250 HPS	SHP-T 250W E40	High Pressure Sodium
COMET II 400 HPS	SHP-T 400W E40	High Pressure Sodium
COMET II 250 MH	HSI-T 250W E40	Metal Halide
COMET II 400 MH	HSI-T 400W E40	Metal Halide

SYLVANIA
HEAVY DUTY

Emergency standards

Emergency lighting is a vital and necessary safety requirement for most building types. The safety it provides for occupants is paramount and not negotiable.

Product Safety

All Sylvania fixtures carry the CE mark. This is a legal requirement which indicates that is designed and tested to conform to EN 60.598 2-22 and is manufactured in accordance with the quality system EN ISO 9001:2000 under certificate number 103690. Any emergency lighting fixture conversion other than by Sylvania to CE marked fixture invalidates this CE marking and its associated legal protection.

Emergency lighting Equipment

This comprise an inverter plus a set of batteries, which conform to EN 60.598 2-22 and may be mounted:

- Integral with in the fixture (self contained-integral).
- remote from, but with in 1 metre of, the fixture (self contained-remote).

Maintained Operation

A single lamp is used for both general and emergency modes. In multi-lamp fixtures only one lamp will be used for the provision of emergency illumination. Emergency lighting is provided for 1 or 3 hours, according to market specifications.

Central Battery

Sylvania fixtures for use with a central battery system are available to special order on a Zproject basis.

50

Photometric Polar Diagrams

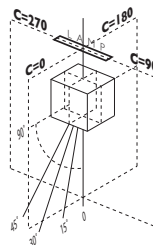
The Tables provided use luminaire Photometric data that has been measured and tested in accordance with CIE 121 and EN 13032-1 "Photometric Data for Luminaires".

Additional photometric data can be provided upon request. All data is also available in CIBSE TM14, EULUMDAT and IES format.

A complementary lighting design service is also available, to provide guidance and recommendations and to ensure lighting solutions are tailored to customer requirements. Supporting this service are the latest computer software facilities enabling accurate predictions and performance checks to be carried out.

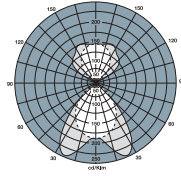
Polar Diagram of luminous intensity distribution

These provide a graphic representation of the distribution of light from a luminaire. Often referred to as polar curves, they indicate the intensity, measured in candelas (cd) per 1000 lumens.



Lighting specifications and applications

In this catalogue you will find different forms of lighting specifications. They will be explained below.



The polar curve is the graphic representation of the luminous intensity in different directions. If two curves are plotted in one graph, the distributions are different in two vertical planes. The value is indicated in candelas per 1.000 lumen (cd/klm). This value must therefore also be multiplied by the nominal luminous flux of the used lamp(s).

Luminance

Average luminances are represented in two vertical planes, the transversal (CO-180) and the longitudinal (C90-270) one at the 45° to 85° γ -angles. These values are relative to the nominal flux of lamps which equipped luminaire.

Table of average luminance

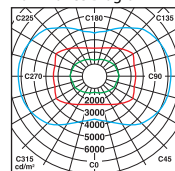
Visual60: the average luminance, in transverse and longitudinal planes is lower than 200 cd/m², at $\gamma > 60^\circ$.

Gamma	C0	C30	C60	C90
45°	2414.7	3538.8	5160.9	3971.7
50°	991.4	1952.2	3127.4	1891.2
55°	162.7	946.2	1124.2	166.3
60°	63.3	587.5	185.8	61.8
65°	52.1	187.9	73.6	56.3
70°	49.6	64.5	70.3	61.2
75°	42.1	77.5	79.3	81.2
80°	46.7	101.8	104.3	101.8
85°	74.2	210.7	182.2	134.5

Luminance diagram

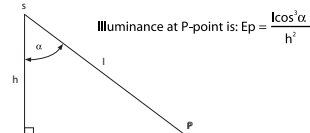
Polar luminance diagram at different gamma angles all around the vertical axis of luminaire. This diagram corresponds to a luminaire with good luminance uniformity.

Luminance Diagram



Illuminance level

Polar curve allows the calculation of illuminance level, in a P-point of an horizontal plane. The luminous source is placed at the h-height, over this plane.



Illuminance level in a room, is not constant in the course of time. It decreases slowly for the following reasons: dust cover and ageing of lamps and luminaires, dust cover and ageing of walls.

For these reasons, we use two illuminance levels:

- Initial illuminance level: it is got when the luminaires are installed in the room, after 100 hours stabilisation of the lamps.
- Maintained illuminance level: it is the lowest illuminance level, before cleaning the installation.

Illuminance level in a room, on the utility plane, depends on the activity.

Some examples

Room	Examples of activity	Maintained illuminance level, for indication (lux)
General outdoor areas	Minimum to move outside	50
	Parking	75
	Storage room	100
	Hallways-escalators	150
General interior areas	Minimum for visual activity	200
	Coarse work e.g. steel construction	300
	Offices, reading and writing works	500
	Fine work e.g. electronics	750
	Very fine work e.g. inspections, drawing room, fine assembly work	1000
Localized lighting	Observation of very fine details 1000 and weak contrasts, drawing work, fine inspection	1500
	Observing the restrictions of visual capacity	1500

UGR

CIE 117,

Unified Glare Rating (UGR) is a method to describe discomfort glare according to observer position and direction of view.

EN 12464-1,

European standard specifying lighting requirements for indoor work places, which meet the needs for visual comfort and performance. All usual visual tasks are considered, including Display Screen Equipment (DSE).

Havells Sylvania (Thailand) Ltd.

19th Floor, Ploenchit Center Bldg,
2 Sukhumvit 2 Road
Klongtoey, Bangkok 10110
Thailand

T (66) 0-2656-9039 (Auto), 0-2254-8885-6
F (66) 0-2254-3369, 0-2254-7786

Email: sales_d3@havells-sylvania.co.th

www.havells-sylvania.co.th

SYLVANIA HEAVY DUTY